



ORDER PICKER N20 C LX

CAPACITY 2000 KG | SERIES 4590

Safety

The standard load backrest protects the operator from any falling objects. Accident prevention is enhanced with the different lights available. Lowering of the forks is only possible in combination with operator's having one foot on the platform which ensures optimum foot protection. The truck is protected from damage with various front anti-collision protection options.

Performance

Powered by a 3 kW AC motor and with an impressive 2000 kg capacity on the scissors at 785 mm lift height, the N20 C LX is the perfect solution for transporting of long and heavy goods. The inching command increases efficiency for the picking operation. With capacities up to 620 Ah and optional Li-ION technology, the ability to operate long working shifts also become standard.

Comfort

The scissor lift of the N20 C LX offers back-friendly working conditions providing the best ergonomic height, depending on load height relative to the operator. A wide and comfortable working station is

complemented by a pneumatically-damped platform and a foldable seating support on the backrest, providing relief and comfort to the operator during long transfers.

Reliability

The trucks are designed, built and tested for consistent reliability in demanding applications. The motor, sub-components and electronics are all protected within the robust chassis structure. These features guarantee a longer operating life, whilst delivering safe, efficient, and productive load handling.

Service

Efficiency at work and when servicing with cost effective maintenance routines are important. With service intervals of up to 1000 hours and a computerized diagnostic system via CAN-bus, maintenance interventions are minimal and operating costs are reduced. Easy accessibility to all components thanks to the front panel and the maintenance free AC technology play an additional part in maximizing uptime.



TECHNICAL DATA

ACCORDING TO VDI 2198

| | | | | |
|------------------|--|--|---------------------------------|------------------------------------|
| Characteristics | 1.1 | Manufacturer | | LINDE |
| | 1.2 | Manufacturer's type designation | | N20 C LX |
| | 1.3 | Drive | | Electric |
| | 1.4 | Operator type | | Stand-on |
| | 1.5 | Rated capacity / rated load | Q (t) | 2.0 |
| | 1.6 | Load centre distance | c (mm) | 1200 |
| | 1.8 | Load distance, centre of drive axle to fork | x (mm) | 1474 / 1310 ³⁾ |
| | 1.9 | Wheelbase | y (mm) | 2661 / 2497 ^{3) 4) 5)} |
| Weight | 2.1 | Service weight (including battery) | (kg) | 1456 |
| | 2.2 | Axle loading, laden front / rear | (kg) | 1140 / 2316 |
| | 2.3 | Axle loading, unladen front / rear | (kg) | 1020 / 436 |
| Wheels and tyres | 3.1 | Tyres | | Polyurethane |
| | 3.2 | Tyre size, front | | 254 x 102 |
| | 3.3 | Tyre size, rear | | 85 x 80 |
| | 3.4 | Additional wheels (dimensions) | | 150 x 50 |
| | 3.5 | Wheels, number front / rear (x=driven wheels) | | 1x - 1/4 |
| | 3.6 | Tread, front | b ₁₀ (mm) | 474 |
| | 3.7 | Tread, rear | b ₁₁ (mm) | 368 |
| Dimensions | 4.2 | Height, mast lowered | h ₁ (mm) | 1375 ⁶⁾ |
| | 4.3 | Free lift | h ₂ (mm) | - |
| | 4.4 | Lift | h ₃ (mm) | 700 |
| | 4.5 | Height, mast extended | h ₄ (mm) | 2075 ⁶⁾ |
| | 4.6 | Initial lift | h ₅ (mm) | - |
| | 4.8 | Stand height / Seat height (min / max) | h ₇ (mm) | 130 ⁷⁾ |
| | 4.9 | Height drawbar in driving position min / max. | h ₁₄ (mm) | 1258 ⁸⁾ |
| | 4.10 | Height of wheel arms | h ₈ (mm) | - |
| | 4.14 | Stand height, elevated (with lifting platform) | h ₁₂ (mm) | 1182 / 1197 ⁹⁾ |
| | 4.15 | Forks height, lowered | h ₁₃ (mm) | 85 |
| | 4.17 | Overhang | l ₅ (mm) | - |
| | 4.19 | Overall length | l ₁ (mm) | 3764 ^{4) 5)} |
| | 4.20 | Length to face of forks | l ₂ (mm) | 1374 ^{4) 5)} |
| | 4.21 | Overall width | b ₁ (mm) | 800 |
| | 4.22 | Fork dimensions | s / e / l | 75 / 172 / 2390 |
| | 4.24 | Fork-carriage width | b ₃ (mm) | 792 ⁶⁾ |
| | 4.25 | Distance between fork-arms | b ₂ (mm) | 540 |
| | 4.31 | Ground clearance, laden, below mast | m ₁ (mm) | - |
| | 4.32 | Ground clearance, centre of wheelbase | m ₂ (mm) | 50 ¹⁰⁾ |
| | 4.34 | Aisle width for for pallets 800 x 16 lengthways (forks raised) | A ₃₁ (mm) | - |
| 4.34.1 | Aisle width for pallets 1000 x 1200 crossways (forks raised) | A ₃₁ (mm) | - | |
| 4.34.2 | Aisle width for pallets 800 x 1200 crossways (forks raised) | A ₃₁ (mm) | 4036 ^{4) 5)} | |
| 4.35 | Turning radius | W ₂ (mm) | 2838 / 2675 ^{3) 4) 5)} | |
| Performance | 5.1 | Travel speed laden / unladen | (km / h) | 9 / 12 |
| | 5.1.1 | Travel speed laden / unladen, backwards | (km / h) | 8 / 11 |
| | 5.2 | Lift speed laden / unladen | (m / s) | 0.095 / 0.176 |
| | 5.3 | Lowering speed laden / unladen | (m / s) | 0.13 / 0.13 |
| | 5.8 | Max. gradeability laden / unladen | (%) | 7 % / 12 % (3.7 % ¹⁵⁾) |
| | 5.9 | Acceleration time, laden / unladen | (s) | 6.8 / 5.4 |
| | 5.10 | Service brake | | Electromagnetic |
| Drive | 6.1 | Drive motor, rating S2 = 60 min | (kW) | 3 |
| | 6.2 | Lift motor, rating at S3 | (kW) | 2.2 / 5 % |
| | 6.3 | Battery according to DIN 43531/35/36; A, B, C, no | | no |
| | 6.4 | Battery voltage / nominal capacity K5 | (V) / (Ah) | 24 / 345 - 465 |
| | 6.5 | Battery weight ± 5 % | (kg) | 402 |
| | 6.6 | Energy consumption according to VDI cycle | (kWh) | 0.83 |
| | 6.7 | Turnover output | (t / h) | - |
| | 6.8 | Energy consumption at turnover output | (kWh / h) | - |
| Others | 8.1 | Drive control | | AC control |
| | 10.7 | Sound level at driver's ear | (dB(A)) | < 70 |

³⁾ with load arms or forks raised

⁴⁾ with lifting platform + 50 mm

⁵⁾ with tray 4 PzS or Li-ION + 114 mm

⁶⁾ with mandatory load backrest (1290 mm from the forks to the top for N20C LX)

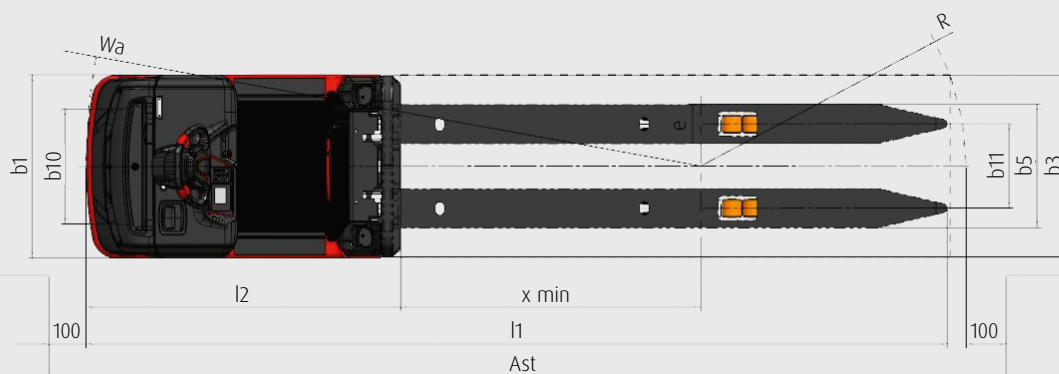
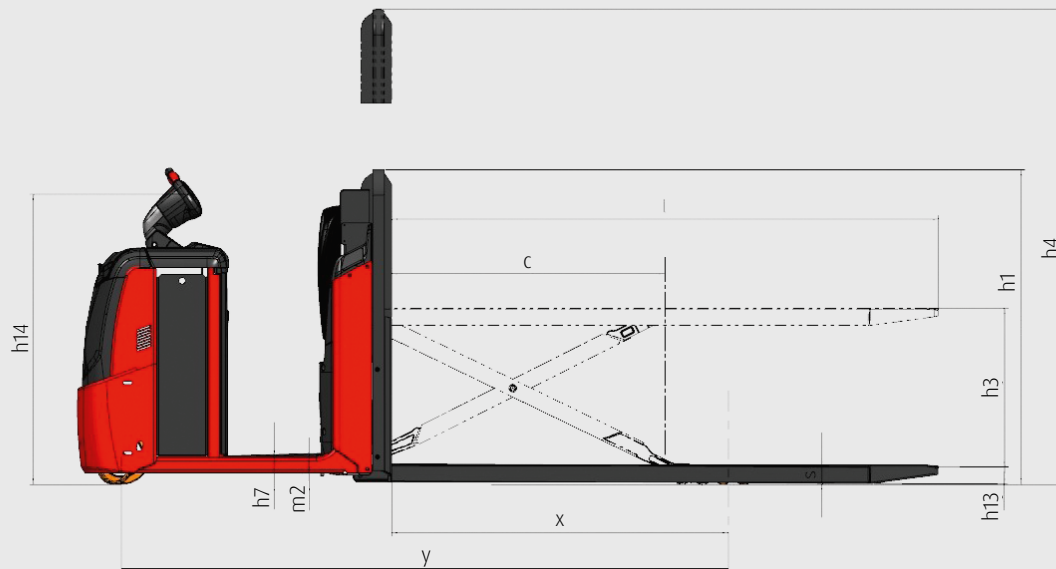
⁷⁾ with lifting platform option standard version + 15 mm; with lifting platform option damped version + 30 mm

⁸⁾ with lifting platform option standard version + 72 mm; with lifting platform option damped version + 87 mm; with tiller adjustment option, h14 setting range = + 89 mm / - 19 mm

⁹⁾ with lifting platform option standard / damped version

¹⁰⁾ minimum ground clearance under the chassis with mandatory foot guard = 24 mm

¹⁵⁾ in bracket: minimum geometric limit on unrounded edge slope without or with foot guard (if different); due to manufacturing and assembly tolerances, it is recommended to foresee a decrease in the nominal values of not less than 1 %



MAST TABLES

| | 700E |
|----------------|------|
| h_3 | 700 |
| $h_3 + h_{13}$ | 785 |
| h_1 | 1375 |
| h_4 | 2075 |
| h_2 | 700 |

STANDARD EQUIPMENT / OPTIONAL EQUIPMENT

STANDARD EQUIPMENT

| |
|--|
| Chassis width 800 mm |
| Rubber platform mat |
| Anti-slip stripes |
| Fixed cushioned and roundly shaped backrest equipped with handle |
| Power assisted steering, adjustable steering resistance |
| Polyurethane drive wheel |
| Tandem polyurethane load wheels greaseable |
| Single polyurethane castor wheel |
| Workstation with A4 clip integrated |
| Key switch or PIN code access |
| Multifunction colored display incl. hour meter, maintenance indication, battery discharge indicator and internal fault code indication |
| Mast controls integrated on backrest |
| Load Backrest 1290 mm |
| 3 kW AC drive motor (maintenance free) |
| 2.2 kW (5 % rating output) lift motor |
| CAN-bus technology |
| Automatic speed reduction in curves |
| Mast lift pressure stop sensor |
| Speed reduction depending on mast lift height and load |
| Automatic breaking on releasing butterfly switch |
| Electromagnetic emergency brake acting proportionally to the load weight |
| Electric horn |
| Vertical battery change in 3 PzS and 4 PzS |
| Protection -10° C |

OPTIONAL EQUIPMENT

| |
|--|
| Drive wheels: cushion rubber, synthetic cushion rubber non marking, wet grip |
| Castor wheels: tandem polyurethane and tandem polyurethane greaseable |
| Raising platform |
| Pneumatic damping of foot platform |
| Cushioned knee protection and foldable leg rest step |
| Height adjustable Linde Steering Wheel |
| Height adjustable cushioned backrest with foldable seating support |
| Dashboard with incorporated storage compartments |
| Inching control (forward only or forward/backward) |
| Accessory supports |
| Support Clipboard DIN A4 and panoramic mirror |
| Support data terminal and power supply cable 24 V |
| Support for scanner and shrink wrap holder |
| Electric socket 12 V or USB plug |
| Other options available on request |

Masts/Forks:

| |
|--|
| Width over fork carriage 540 mm with fork length 2390 mm |
| Simplex mast with lift height of 700 mm |
| Soft landing on forks |

Safety:

| |
|---|
| Front chassis protections |
| Linde BlueSpot™, Front LED-stripes, Flashing Beacon |

Environment:

| |
|------------------------------|
| Cold store protection -35° C |
|------------------------------|

Linde Connected Solutions:

| |
|--|
| ac: access control (PIN or RFID Dual), an: usage analysis, dt: crash detection, tr: trouble code and hr: operating hours |
| Data transfer online and data transfer WiFi |
| Bluetooth USB Stick |

Battery:

| |
|--|
| Lateral battery change 3 PzS/4 PzS low available with an ergonomic battery un/locking with lever and rollers |
| Lateral battery change 3 PzS/4 PzS high available with a simple battery un/locking system |
| Lateral battery change 3 PzS/4 PzS for competitor batteries |
| Built-in charger for lead acid batteries |

Li-ION technology:

| |
|--|
| 4 PzS compartment with 4.5 kWh - 9 kWh (205 Ah - 410 Ah) |
|--|

Li-ION charger:

| |
|---|
| 24 V-Charger v255: 4.5 kWh (full charging time 1 h 30 min) - 9.0 kWh (2 h 40 min) |
|---|



FEATURES

Optimal load handling

- 2000 kg total load capacity to handle two pallets at 785 mm lift height
- High performance 2.2 kW lift motor
- Mast controls located on both sides of backrest
- Four points contact configuration for maximum stability on ground
- Traction speed of 9 km/h loaded and 12 km/h unloaded
- Electromagnetic braking initiated by the emergency stop button acts on the drive motor, proportional



Productivity at the second level

- Raising platform option to optimize occasional first and second level picking
- Optional pneumatic damper for optimum comfort
- Wide access of 428 mm
- OptiLift® systems ensures proportional lift and lowering of platform and quiet operation
- Platform lifting command intuitively placed on Linde Steering Wheel for single-hand operation
- Platform lowering with foot switch

Easy manoeuvring

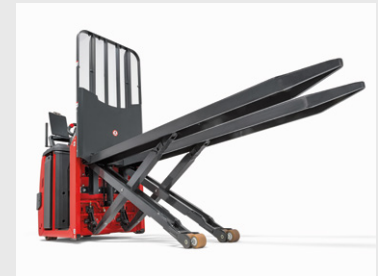
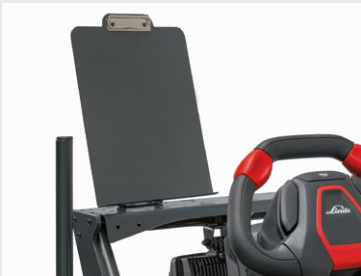
- Intuitive Linde Steering Wheel, with all functions (horn, traction butterflies) easily accessible without losing grip ensures one-hand operation
- Ergonomic and safe driving position
- Self centering steering for faster picking cycles

Workstation

- Wide, easy access, from either side
- Numerous storage compartments, maximized with optional dashboard for increased storage
- Various optional accessories designed to streamline picking
- Pedestrian command available

Work in comfort

- Wide platform access of 418 mm and low step in height of 130 mm
- Damped mat or pneumatic damper for reduced vibration levels
- Height adjustable Linde Steering Wheel
- Cushioned, rounded-shape backrest, also available with height adjustment with foldable seating support



Service Efficiency

- Integrated CAN-bus diagnostic system for faster analysis and shorter service intervals
- All truck parameters are configurable by service technician to suit each individual application
- Rapid & convenient access to main components via front service panel
- Electronic management of all components permitting quick and easy diagnosis

Efficient drive system

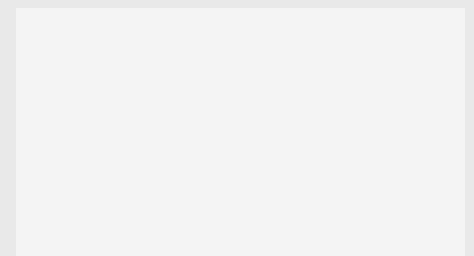
- Powerful, high-torque and 3 kW AC drive motor
- Moisture and dust-proof maintenance-free motor with up to 7 % gradeability performance fully loaded
- Safe starting on gradients without rollback
- Effortless proportional electric power steering with positive feedback
- Automatic speed reduction when cornering

Energy for your activity

- Vertical change as standard, optional side change
- Wide range of batteries (low and high) from 345 Ah (3 PzS) to 620 Ah (4 PzS)
- Battery compartments dedicated for competitor batteries
- Ergonomic lever on low batteries
- Li-ION batteries available

Subject to modification in the interest of progress. Illustrations and technical details could include options and not binding for actual constructions. All dimensions subject to usual tolerances.

Presented by:



Linde Material Handling GmbH
Carl-von-Linde-Platz | 63741 Aschaffenburg | Germany
Phone + 49 6021 99 0 | Fax + 49 6021 99 1570
www.linde-mh.com | info@linde-mh.com

Printed in Germany 799.e.0,5.0419.IndA.Ki